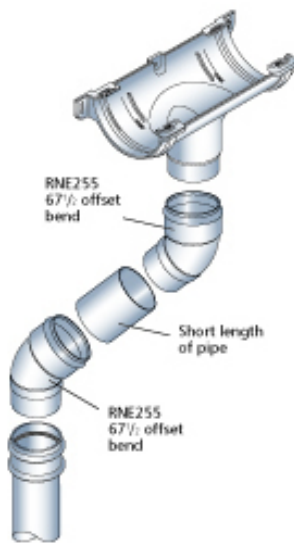
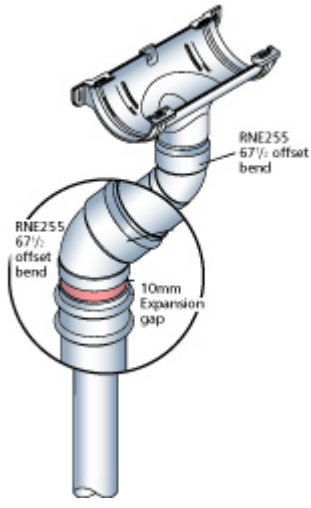
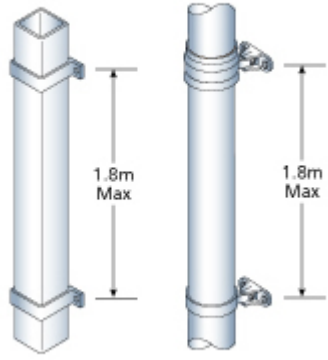
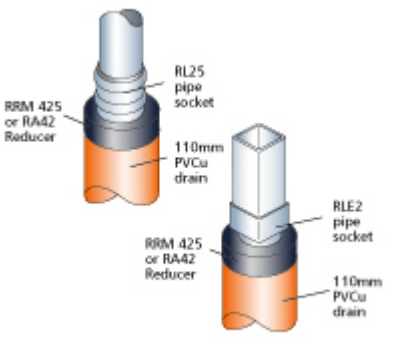
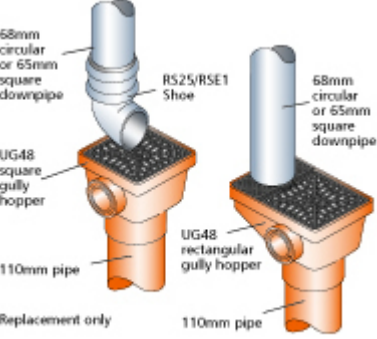


How to install the downpipe

 <p>RNE255 67 1/2 offset bend</p> <p>Short length of pipe</p> <p>RNE255 67 1/2 offset bend</p>	 <p>RNE255 67 1/2 offset bend</p> <p>10mm Expansion gap</p> <p>RNE255 67 1/2 offset bend</p>	 <p>1.8m Max</p> <p>1.8m Max</p>
<p>It is likely that an offset will be required to bridge the gap between the fascia and the house wall. This is simply constructed and should fit snugly</p>	<p>Work from the top, leaving a 10mm expansion gap at each join.</p>	<p>Downpipe clips should be no more than 1.8m apart. Circular downpipes have two types of clips, one for pipe and one for the socket. Square downpipe has just one type.</p>
 <p>RRM 425 or RA42 Reducer</p> <p>RL25 pipe socket</p> <p>110mm PVCu drain</p> <p>RLE2 pipe socket</p> <p>RRM 425 or RA42 Reducer</p> <p>110mm PVCu drain</p>	 <p>68mm circular or 65mm square downpipe</p> <p>RS25/RSE1 Shoe</p> <p>68mm circular or 65mm square downpipe</p> <p>UG48 square gully hopper</p> <p>110mm pipe</p> <p>UG48 rectangular gully hopper</p> <p>110mm pipe</p> <p>Replacement only</p>	
<p>Downpipes can either be connected directly to the drain by using an adaptor...</p>	<p>...or into a gully by fixing the shoe into the end of the pipe. A socket clip and backplate must be used to secure the shoe.</p>	