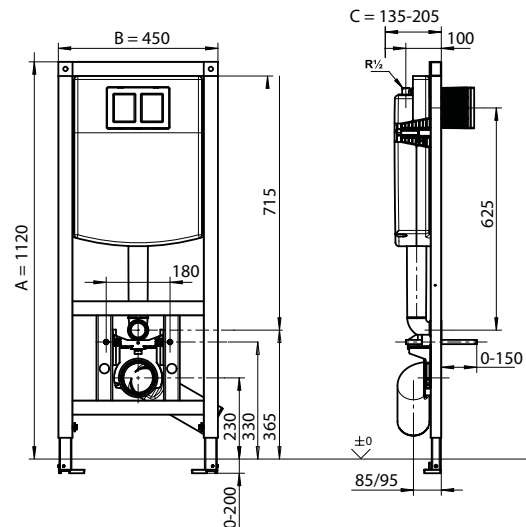


MULTIKWIK 1120MM HIGH WC FRAME WITH 12CM CISTERN
TRM1120


PRODUCT CODE	TRM1120
SIZE (mm)	1120
OUTLET CONNECTION	110mm spigot
WEIGHT (KG)	11.7
DIMENSIONS (mm) A x B x C	1120 x 450 x 135

FLOOR DEPTH ADJUSTMENT	0 - 200mm
FRAME WIDTH	450mm
INSTALLATION DEPTH	135mm (incl wall bracket)
FRAME WEIGHT SUPPORT	400kg
FLUSH VOLUME	6/3L or 4.5/3L
MIN/MAX WATER PRESSURE	0.5 - 10.0 bar
WATER SUPPLY INLET CONNECTION	Male ½" BSP top
WC FIXING CENTRES	180mm
90° OUTLET BEND	ØDN90 x DN100 spigot (Ø110mm)
WC pan connector (included)	Ø90 spigot x Ø97-108 socket
FLUSH INLET PIPE	Ø45mm x 180mm L
FLUSH VALVE	Cable operated dual flush drop valve
FLUSH PLATE INSTALLATION	Front mounted
CONSTRUCTION	Powder coated welded steel frame
APPLICATION	For installations with room height duct.

FLUSH PLATE DESIGNS
(sold separately)
ECLIPSE FLUSH PLATE

SOLAR FLUSH PLATE

CRESCENT FLUSH PLATE


Please refer to separate datasheet for further details

All available in

- White (Crescent and Eclipse ONLY)
- Polished Chrome
- Satin Chrome (Crescent and Eclipse ONLY)
- Brushed Stainless Steel (Crescent ONLY)

Sales hotline
01622 852 654

Support hotline
01622 852 798

Email
info@multikwik.com

WWW.MULTIKWIK.COM
Twitter @multikwik

TRUST MULTIKWIK
