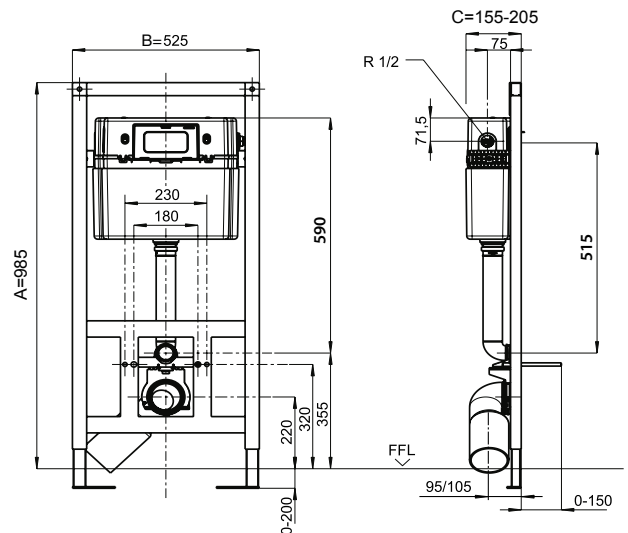


MULTIKWIK 985MM HIGH WC FRAME WITH 15CM CISTERN
TRM1985



PRODUCT CODE	TRM1985
SIZE (mm)	985
OUTLET CONNECTION	110mm spigot
WEIGHT (KG)	15
DIMENSIONS (mm) A x B x C	985 x 525 x 155

FLOOR DEPTH ADJUSTMENT	0 - 200mm
FRAME WIDTH	525mm
INSTALLATION DEPTH	155mm - 205mm
FRAME WEIGHT SUPPORT	400kg
FLUSH VOLUME	6/3L & 4.5/3L
MIN/MAX WATER PRESSURE	0.5 - 10.0 bar
WATER SUPPLY INLET CONNECTION	Male ½" BSP left, right or rear
WC FIXING CENTRES	230 - 180mm
90° OUTLET BEND	ØDN90 x DN100 spigot (Ø110mm)
WC pan connector (included)	Ø90 spigot x Ø97-108 socket
FLUSH INLET PIPE	Ø45mm x 180mm L
FLUSH VALVE	Cable operated dual flush drop valve
FLUSH PLATE INSTALLATION	Front or top mounted
CONSTRUCTION	Powder coated welded steel frame
APPLICATION	For part-height room ducts installations.

FLUSH PLATE DESIGNS (sold separately)

ATLAS (recessed only)



Finish options:



CRESCENT



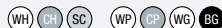
Finish options:



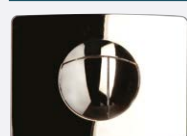
ECLIPSE



Finish options: Recessed options:



SOLAR



Finish options:



TELESTO



Finish options:



TITAN



Finish options:



Key to finishes: (WH) White (CH) Chrome (SC) Satin chrome (SS) Stainless steel (WM) White / matt chrome

Key to recess options: (WP) White (ABS plastic) (CP) Chrome (ABS plastic) (WG) White (glass) (BG) Black (glass)

Sales hotline
01622 852 654

Support hotline
01622 852 798

Email
info@multikwik.com

WWW.MULTIKWIK.COM

Twitter @multikwik

TRUST MULTIKWIK

