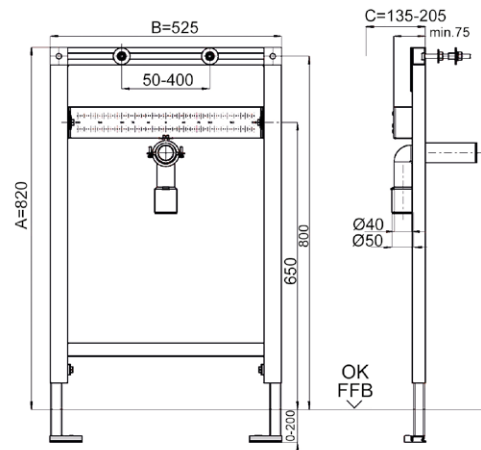


# TECHNICAL DATASHEET SANITARY SYSTEMS / WASHBASIN FRAME

## MULTIKWIK 820MM HIGH WASHBASIN FRAME 1 TAP HOLE MIXER TRM2820



<b>PRODUCT CODE</b>	<b>TRM2820</b>
<b>SIZE (mm)</b>	820
<b>OUTLET CONNECTION</b>	40mm
<b>WEIGHT (KG)</b>	6.5
<b>DIMENSIONS (mm) A x B x C</b>	820 x 525 x 135

<b>FLOOR DEPTH ADJUSTMENT</b>	0 - 200mm
<b>FRAME WIDTH</b>	525mm
<b>INSTALLATION DEPTH</b>	135mm - 205mm
<b>FRAME WEIGHT SUPPORT</b>	150kg
<b>WASHBASIN FIXING CENTERS</b>	50mm - 400mm
<b>90° OUTLET BEND</b>	ØDN40 x DN50 spigot
<b>CONSTRUCTION</b>	Powder coated welded steel frame
<b>APPLICATION</b>	For installations below 90cm height window sill.

### TRAPS

From standard traps for basins, baths and showers to more complex utility traps and nozzles for appliance connections, the Multikwik range has a product suited to the job.

Available in a choice of white or high quality mirror chrome finish.



**Sales hotline**  
01622 852 654

**Support hotline**  
01622 852 798

**Email**  
info@multikwik.com

[WWW.MULTIKWIK.COM](http://WWW.MULTIKWIK.COM)

**Twitter** @multikwik

**TRUST MULTIKWIK**

