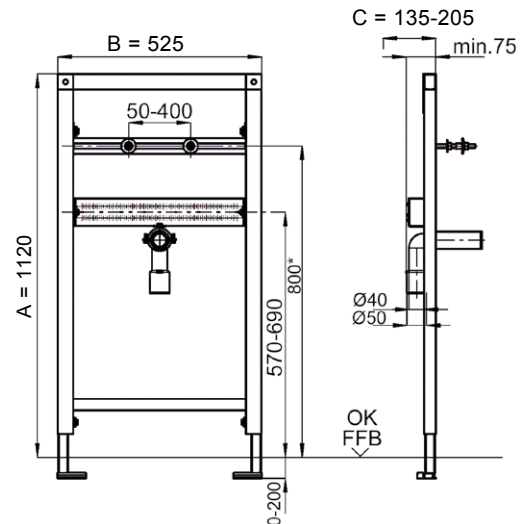


TECHNICAL DATASHEET SANITARY SYSTEMS / WASHBASIN FRAME

MULTIKWIK 985MM HIGH WASHBASIN FRAME 1 TAP HOLE MIXER

TRM2985



PRODUCT CODE	TRM2985
SIZE (mm)	985
OUTLET CONNECTION	40mm
WEIGHT (KG)	7.6
DIMENSIONS (mm) A x B x C	985 x 525 x 135

FLOOR DEPTH ADJUSTMENT	0 - 200mm
FRAME WIDTH	525mm
INSTALLATION DEPTH	135mm - 205mm
FRAME WEIGHT SUPPORT	150kg
WASHBASIN FIXING CENTERS	50mm - 400mm
90° OUTLET BEND	ØDN40 x DN50 spigot
CONSTRUCTION	Powder coated welded steel frame
APPLICATION	For part-height room duct installations.

TRAPS

From standard traps for basins, baths and showers to more complex utility traps and nozzles for appliance connections, the Multikwik range has a product suited to the job.

Available in a choice of white or high quality mirror chrome finish.



Sales hotline
01622 852 654

Support hotline
01622 852 798

Email
info@multikwik.com

WWW.MULTIKWIK.COM

Twitter @multikwik

TRUST MULTIKWIK

