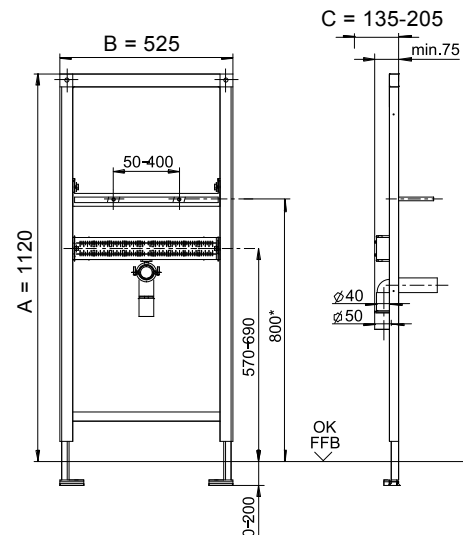


MULTIKWIK 1120MM HIGH WASHBASIN FRAME 1 TAP HOLE MIXER

TRM2020



| | |
|--------------------------------------|------------------|
| PRODUCT CODE | TRM2020 |
| SIZE (mm) | 1120 |
| OUTLET CONNECTION | 40mm |
| WEIGHT (KG) | 14.2 |
| DIMENSIONS (mm) A x B x C | 1120 x 525 x 135 |

| | |
|---------------------------------|----------------------------------|
| FLOOR DEPTH ADJUSTMENT | 0 - 200mm |
| FRAME WIDTH | 525mm |
| INSTALLATION DEPTH | 135mm - 205mm |
| FRAME WEIGHT SUPPORT | 150kg |
| WASHBASIN FIXING CENTERS | 50mm - 400mm |
| 90° OUTLET BEND | ØDN40 x DN50 spigot |
| CONSTRUCTION | Powder coated welded steel frame |
| APPLICATION | For full height room ducts. |

TRAPS

From standard traps for basins, baths and showers to more complex utility traps and nozzles for appliance connections, the Multikwik range has a product suited to the job.

Available in a choice of white or high quality mirror chrome finish.



Sales hotline
01622 852 654

Support hotline
01622 852 798

Email
info@multikwik.com

WWW.MULTIKWIK.COM

Twitter @multikwik

TRUST MULTIKWIK

