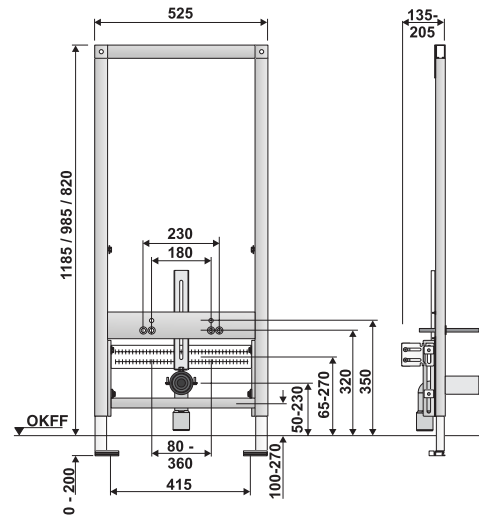


MULTIKWIK 1120MM BIDET FRAME

TRM6000



PRODUCT CODE	TRM6000
SIZE (mm)	1120
WEIGHT (KG)	14.5
DIMENSIONS (mm)	W = 525 x H = 1120 x D = 135-205

FLOOR DEPTH ADJUSTMENT	0 - 200mm
FRAME WIDTH	525mm
INSTALLATION DEPTH	135–205mm (including brackets)
FIXING CENTRES	180 or 230mm
90° OUTLET BEND	ØDN40 x DN50 spigot
BIDET COMPATIBILITY	Suits all ceramic wall hung bidets
CONSTRUCTION	Polystyrene (PS) Cistern tank with Expanded Polystyrene (EPS) Sound Insulation Jacket with internal isolating valve
APPLICATION	For full height wall duct installation

COMPRESSION WASTE

When designing and building any type of development, we know that costs and aesthetics can play a huge part in making decisions.

That's where Multikwik offers the choice of standard white compression waste components for hidden plumbing, and a chrome covered compression waste system for exposed pipework.

Both options have a smooth inner bore, to reduce the chance of blockages and thumb recesses for easy hand tightening.



Sales hotline
01622 852 654

Support hotline
01622 852 798

Email
info@multikwik.com

WWW.MULTIKWIK.COM

Twitter @multikwik

TRUST MULTIKWIK

