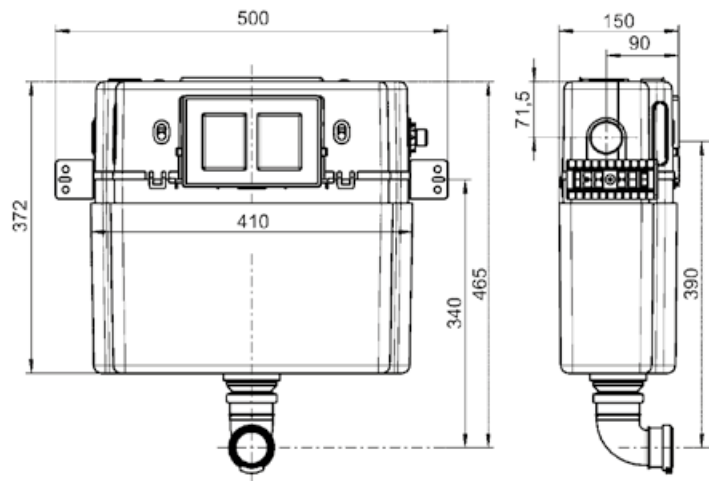


TECHNICAL DATASHEET SANITARY SYSTEMS / CISTERN

MULTIKWIK 500MM WIDE CONCEALED CISTERN (DUAL FLUSH)

TRV1820



PRODUCT CODE	TRV1820
SIZE (mm)	500
WEIGHT (KG)	2.69
DIMENSIONS (mm) A x B x C	375 x 500 x 150

FLUSH VOLUME	6/3L & 4.5/3L
MIN/MAX WATER PRESSURE	0.5 - 10.0 bar
WATER SUPPLY INLET CONNECTION	Male ½" BSP left or right
FLUSH INLET PIPE	Ø45mm x 300mm L
FLUSH VALVE	Cable operated dual flush drop valve
FLUSH PLATE INSTALLATION	Front or top mounted
CONSTRUCTION	<ul style="list-style-type: none"> • Polypropylene cistern with polystyrene insulation jacket • Adjustable mounting brackets • Integral isolating valve • Noise Class 1, Tested to DIN EN14055 KIWA
APPLICATION	For concealed installation

FLUSH PLATE DESIGNS (sold separately)

ATLAS (recessed only)



Finish options:



CRESCENT



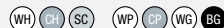
Finish options:



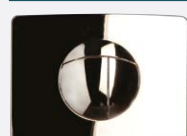
ECLIPSE



Finish options: Recessed options:



SOLAR



Finish options:



TELESTO



Finish options:



TITAN



Finish options:



Key to finishes: (WH) White (CH) Chrome (SC) Satin chrome (SS) Stainless steel (WM) White / matt chrome

Key to recess options: (WP) White (ABS plastic) (CP) Chrome (ABS plastic) (WG) White (glass) (BG) Black (glass)

Sales hotline
01622 852 654

Support hotline
01622 852 798

Email
info@multikwik.com

WWW.MULTIKWIK.COM

Twitter @multikwik

TRUST MULTIKWIK

