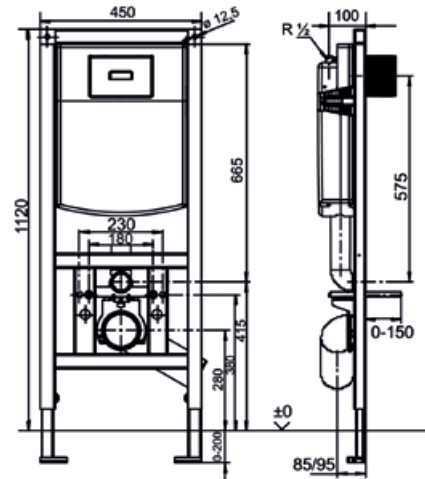


MULTIKWIK 1120MM HIGH WC FRAME FOR DISABLED APPLICATIONS

TRM1121



PRODUCT CODE	TRM1121
SIZE (mm)	1120
OUTLET CONNECTION	110mm spigot
WEIGHT (KG)	11.7
DIMENSIONS (mm) A x B x C	1120 x 450 x 135

FLOOR DEPTH ADJUSTMENT	0 - 200mm
FRAME WIDTH	450mm
INSTALLATION DEPTH	130mm
FRAME WEIGHT SUPPORT	400kg
FLUSH VOLUME	6/3L or 4.5/3L
MIN/MAX WATER PRESSURE	0.5 - 10.0 bar
WATER SUPPLY INLET CONNECTION	Male 1/2" BSP top
WC FIXING CENTRES	180mm
90° OUTLET BEND	ØDN90 x DN100 spigot (Ø110mm)
WC pan connector (included)	Ø90 spigot x Ø97-108 socket
FLUSH INLET PIPE	Ø45mm x 180mm L
FLUSH VALVE	Cable operated dual flush drop valve
FLUSH PLATE INSTALLATION	Front mounted
CONSTRUCTION	Powder coated welded steel frame
APPLICATION	For full height room duct, disabled installations.

FLUSH PLATE DESIGNS (sold separately)

ATLAS (recessed only)



Finish options:



CRESCENT



Finish options:



ECLIPSE



Finish options: Recessed options:



SOLAR



Finish options:



TELESTO



Finish options:



TITAN



Finish options:



Key to finishes: (WH) White (CH) Chrome (SC) Satin chrome (SS) Stainless steel (WM) White / matt chrome

Key to recess options: (WP) White (ABS plastic) (CP) Chrome (ABS plastic) (WG) White (glass) (BG) Black (glass)

Sales hotline
01622 852 654

Support hotline
01622 852 798

Email
info@multikwik.com

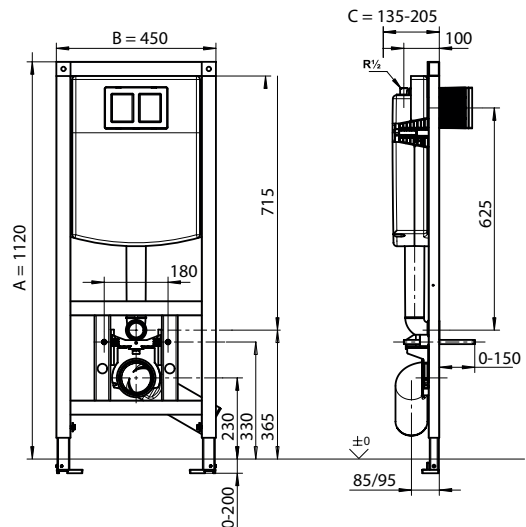
WWW.MULTIKWIK.COM

Twitter @multikwik

TRUST MULTIKWIK



MULTIKWIK 1120MM HIGH WC FRAME WITH 12CM CISTERN
TRM1120



PRODUCT CODE	TRM1120
SIZE (mm)	1120
OUTLET CONNECTION	110mm spigot
WEIGHT (KG)	11.7
DIMENSIONS (mm) A x B x C	1120 x 450 x 135

FLOOR DEPTH ADJUSTMENT	0 - 200mm
FRAME WIDTH	450mm
INSTALLATION DEPTH	135mm - 205mm
FRAME WEIGHT SUPPORT	400kg
FLUSH VOLUME	6/3L or 4.5/3L
MIN/MAX WATER PRESSURE	0.5 - 10.0 bar
WATER SUPPLY INLET CONNECTION	Male 1/2" BSP top
WC FIXING CENTRES	180mm
90° OUTLET BEND	ØDN90 x DN100 spigot (Ø110mm)
WC pan connector (included)	Ø90 spigot x Ø97-108 socket
FLUSH INLET PIPE	Ø45mm x 180mm L
FLUSH VALVE	Cable operated dual flush drop valve
FLUSH PLATE INSTALLATION	Front mounted
CONSTRUCTION	Powder coated welded steel frame
APPLICATION	For full height room duct installations.

FLUSH PLATE DESIGNS (sold separately)

ATLAS (recessed only)



Finish options:



CRESCENT



Finish options:



ECLIPSE



Finish options: Recessed options:



SOLAR



Finish options:



TELESTO



Finish options:



TITAN



Finish options:



Key to finishes: (WH) White (CH) Chrome (SC) Satin chrome (SS) Stainless steel (WM) White / matt chrome

Key to recess options: (WP) White (ABS plastic) (CP) Chrome (ABS plastic) (WG) White (glass) (BG) Black (glass)

Sales hotline
01622 852 654

Support hotline
01622 852 798

Email
info@multikwik.com

WWW.MULTIKWIK.COM

Twitter @multikwik

TRUST MULTIKWIK

